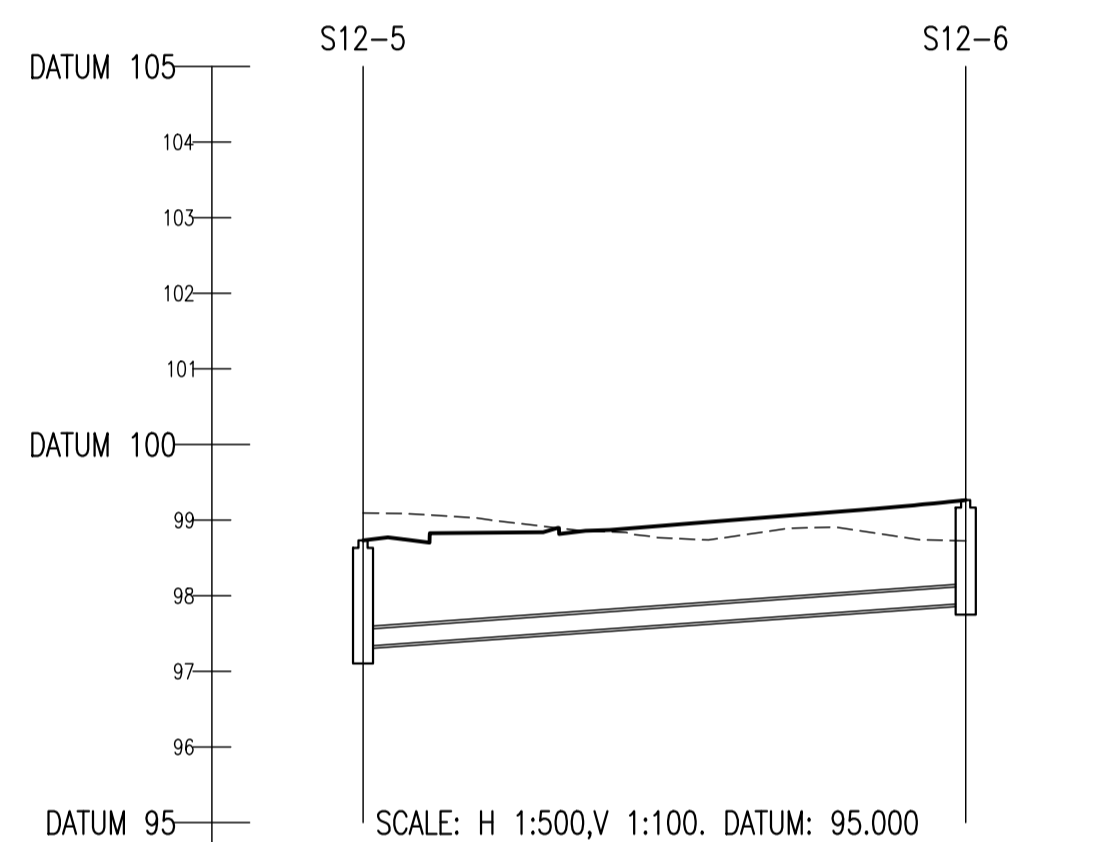
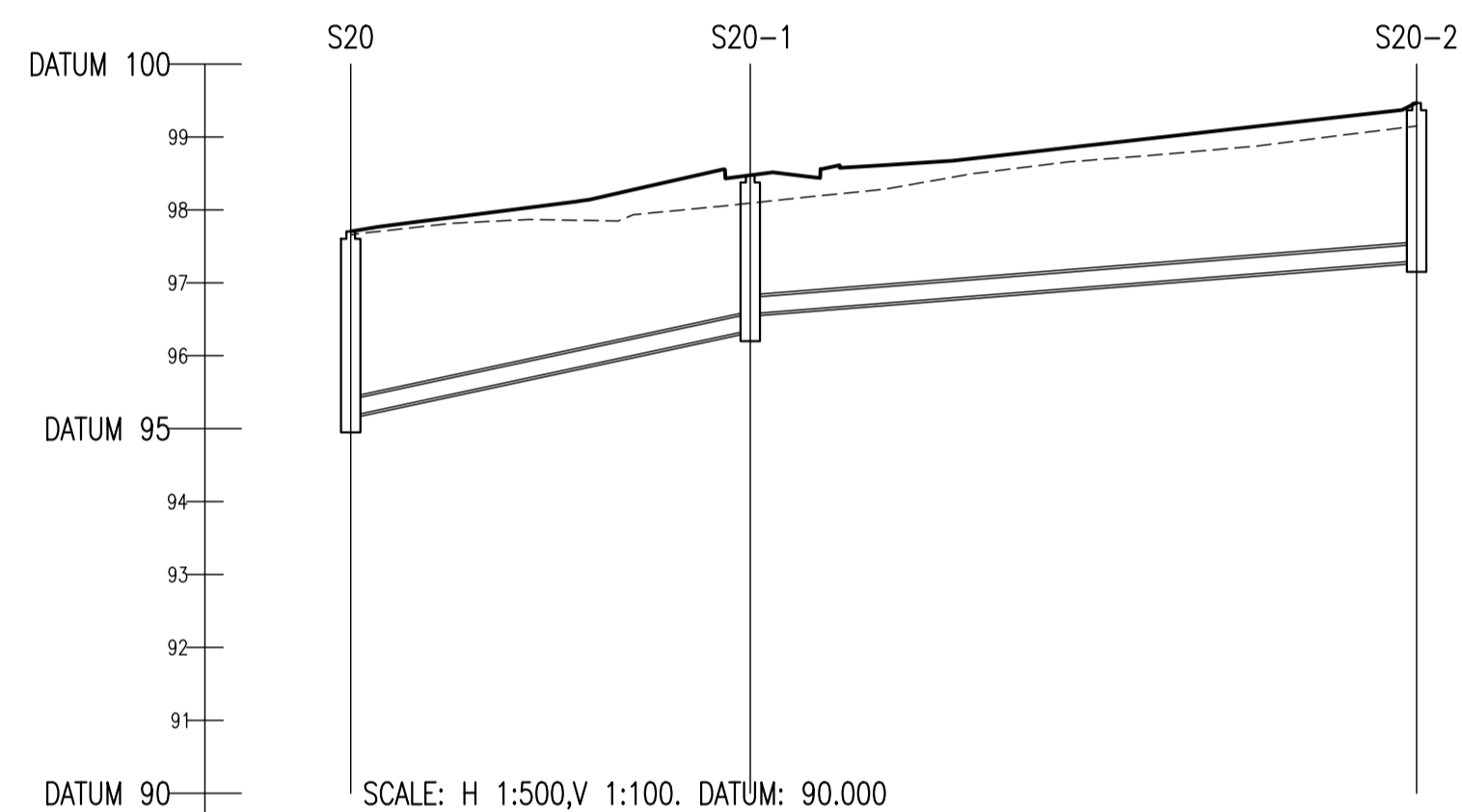


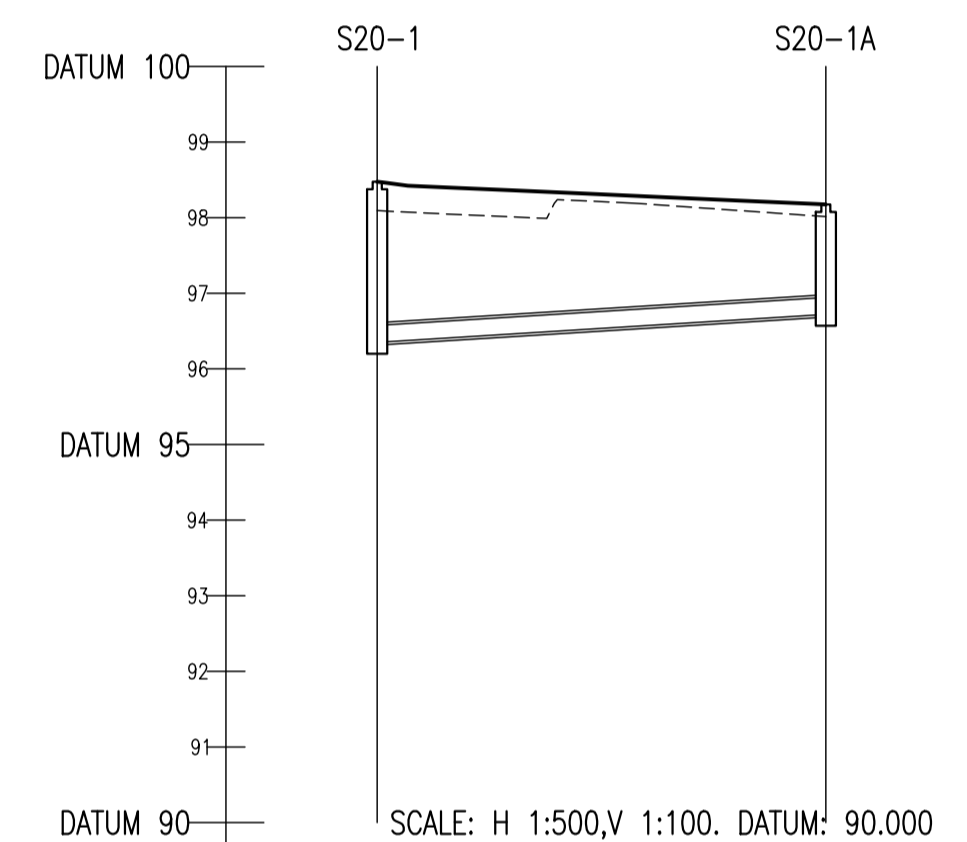
COVER LEVEL	94.319	94.821	96.321	96.821	98.321	98.821	99.321	99.821
INVERT LEVEL	91.375	91.425	91.475	91.525	91.575	91.625	91.675	91.725
DEPTH (m)	2.944	3.396	3.848	4.299	4.751	5.202	5.654	6.105
DISTANCE (m)		32.53	76.92	4.68	48.71	60.43	25.42	
PIPE SLOPE		1:651	1:32	1:31	1:46	1:89	1:29	
PIPE SIZE		100mm	300mm	300mm	300mm	300mm	225mm	



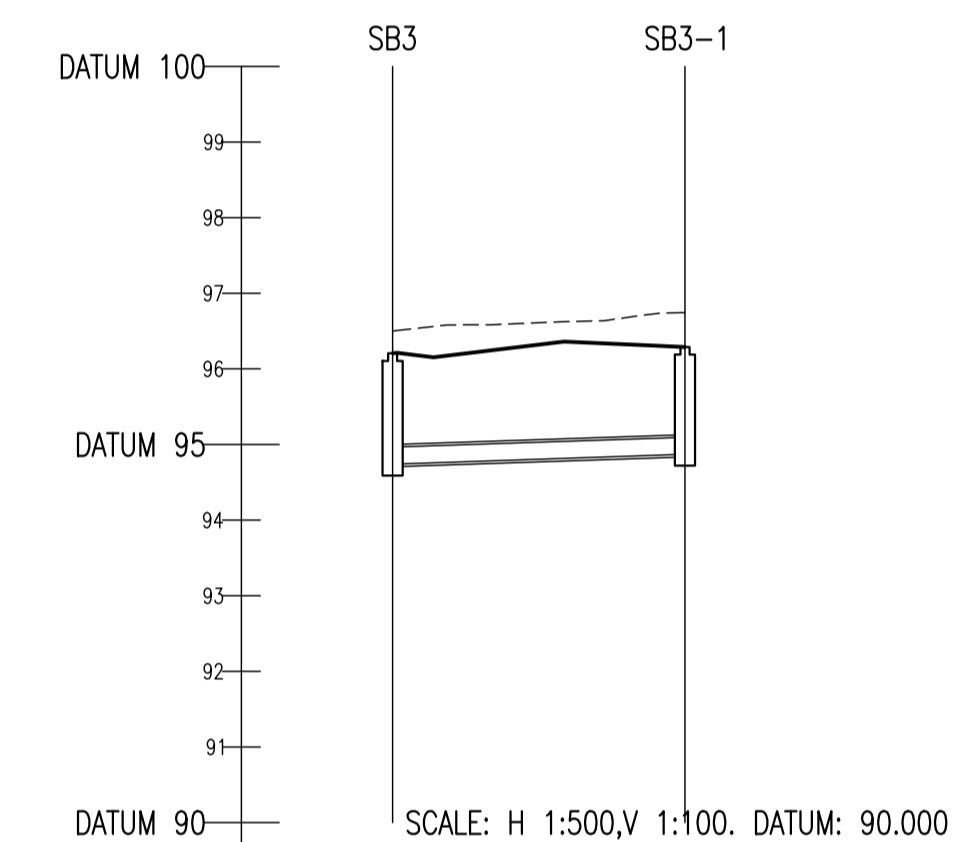
COVER LEVEL	98.732	99.285
INVERT LEVEL	97.330	97.900
DEPTH (m)	1.477	1.385
DISTANCE (m)		39.86
PIPE SLOPE		1:70
PIPE SIZE		225mm



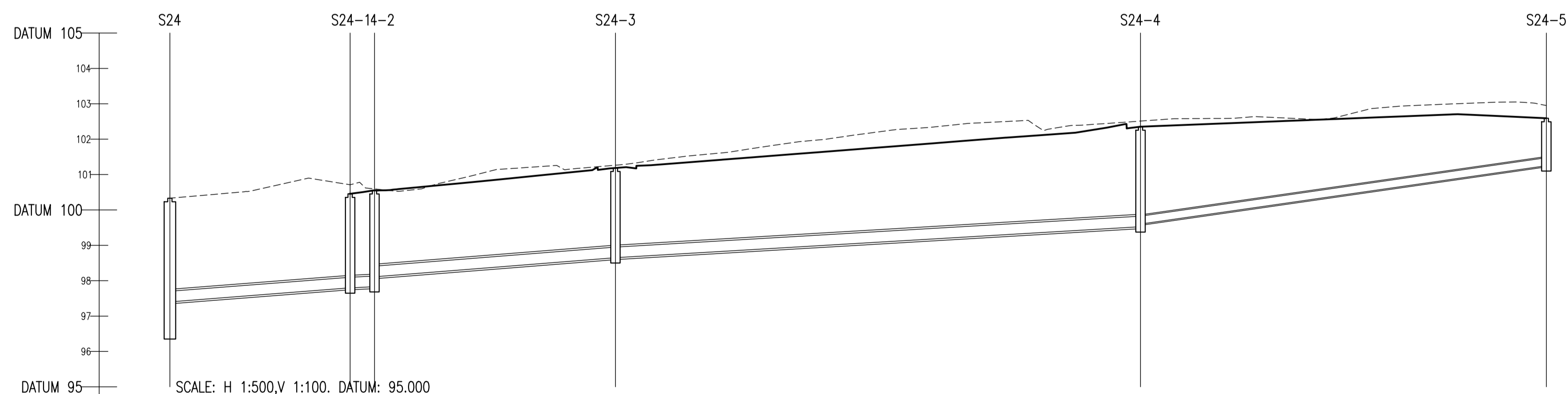
COVER LEVEL	97.704	98.476	99.466
INVERT LEVEL	96.175	96.575	97.300
DEPTH (m)	2.604	2.126	2.166
DISTANCE (m)		27.40	45.70
PIPE SLOPE		1:23	1:63
PIPE SIZE		225mm	225mm



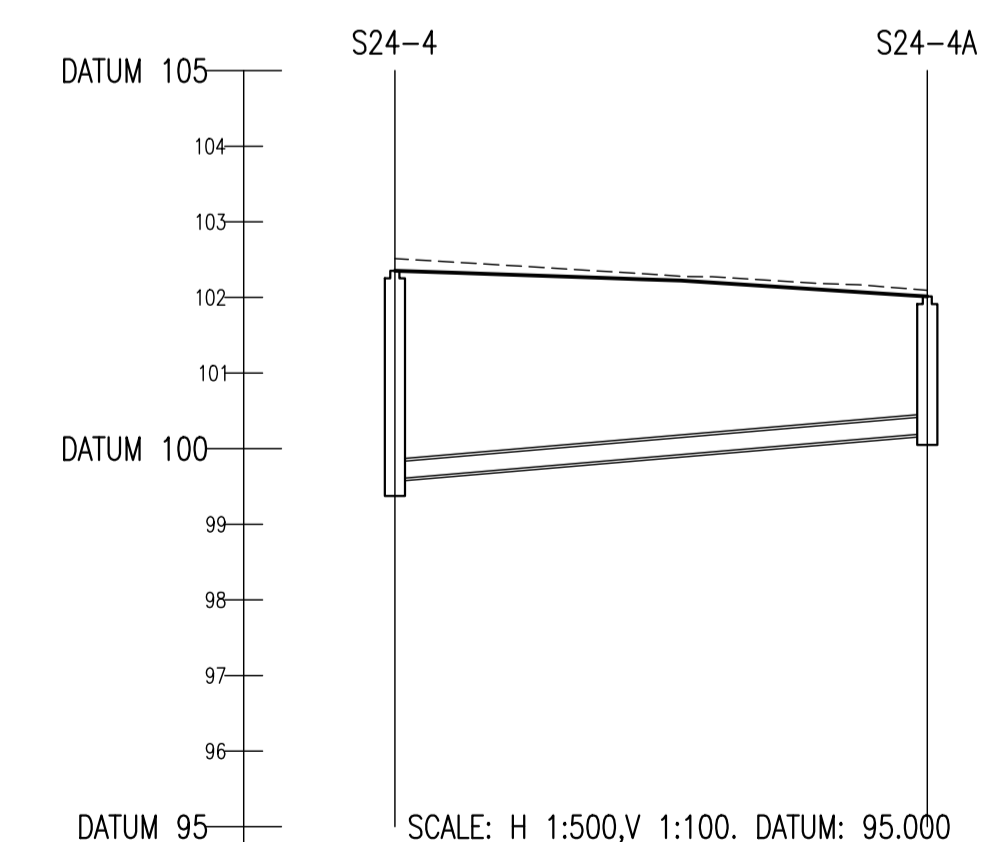
COVER LEVEL	98.476	98.175
INVERT LEVEL	96.350	96.720
DEPTH (m)	2.126	1.455
DISTANCE (m)		29.67
PIPE SLOPE		1:80
PIPE SIZE		225mm



COVER LEVEL	96.206	96.290
INVERT LEVEL	94.740	94.870
DEPTH (m)	1.466	1.420
DISTANCE (m)		19.34
PIPE SLOPE		1:149
PIPE SIZE		225mm

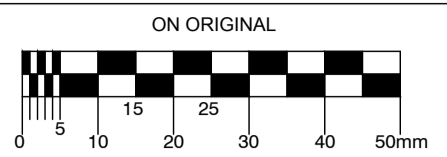


COVER LEVEL	100.332	100.450	100.551	101.185	102.353	102.591
INVERT LEVEL	97.407	97.798	98.110	98.650	99.600	101.250
DEPTH (m)	3.831	2.657	2.719	2.535	2.828	1.341
DISTANCE (m)		25.47	3.45	34.06	74.22	57.36
PIPE SLOPE		1:64	1:100	1:63	1:85	1:35
PIPE SIZE		300mm	300mm	300mm	300mm	225mm



COVER LEVEL	102.353	102.212
INVERT LEVEL	99.600	100.200
DEPTH (m)	2.828	1.812
DISTANCE (m)		35.21
PIPE SLOPE		1:59
PIPE SIZE		225mm


© COPYRIGHT OF THIS DRAWING IS RESERVED BY DBFL CONSULTING ENGINEERS. NO PART SHALL BE REPRODUCED OR TRANSMITTED WITHOUT THEIR WRITTEN PERMISSION.



- NOTES:
- ALL DRAWINGS TO BE CHECKED BY CONTRACTOR ON SITE AND ENGINEER INFORMED OF DISCREPANCIES BEFORE WORK COMMENCES
  - ALL LEVELS ARE IN METRES AND ARE RELATED TO ORDNANCE DATUM
  - CONTRACTOR SHALL SATISFY HIMSELF AS TO THE ACCURACY OF PAVEMENT LEVELS ON SITE PRIOR TO COMMENCEMENT OF WORKS ON SITE
  - ALL WORKS TO BE CONSTRUCTED IN ACCORDANCE WITH THE NRA SPECIFICATION FOR ROAD WORKS UNLESS NOTED OTHERWISE
  - THIS DRAWING IS FOR PLANNING PURPOSES ONLY
  - MANHOLE COVER LEVELS ARE TO CONFORM WITH FINISHED ROAD AND PATH LEVELS
  - WHERE COVER TO PIPE IS LESS THAN 1200mm (ROAD/PATH/VERGE) OR 900mm (OPEN SPACE) SURROUND PIPE IN MINIMUM 150mm CONCRETE

KEY  
 - - - - - EXISTING GROUND PROFILE  
 \_\_\_\_\_ PROPOSED GROUND PROFILE

REV	DATE	DESCRIPTION	BY	CHKD
<b>PLANNING</b>				
DESIGNED	NCG	PREPARED	PJC	
DATE	SEP 2019	CHECKED	DJR	


 DUBLIN OFFICE: Ormond House, Upper Ormond Quay, Dublin 7, Ireland. PHONE +353 1 400 4000 FAX +353 1 400 4050  
 WATERFORD OFFICE: Unit 2, The Chandlery, 1-2 O'Connell Street, Waterford, Ireland. PHONE +353 51 338 550 FAX +353 51 844 813  
 DBFL Consulting Engineers email: info@dbfl.ie site: www.dbfl.ie

PROJECT  
**LANDS AT NEWCASTLE, SOUTH DUBLIN**

DRG. TITLE  
**LONGITUDINAL SECTIONS THROUGH SURFACE WATER SHEET 3**

ARCHITECT  
**MOLA**

SCALE H 1:500, V 1:100 @A1 FILE REF. 170024-3025  
 DRG. NO. **170024-3033**